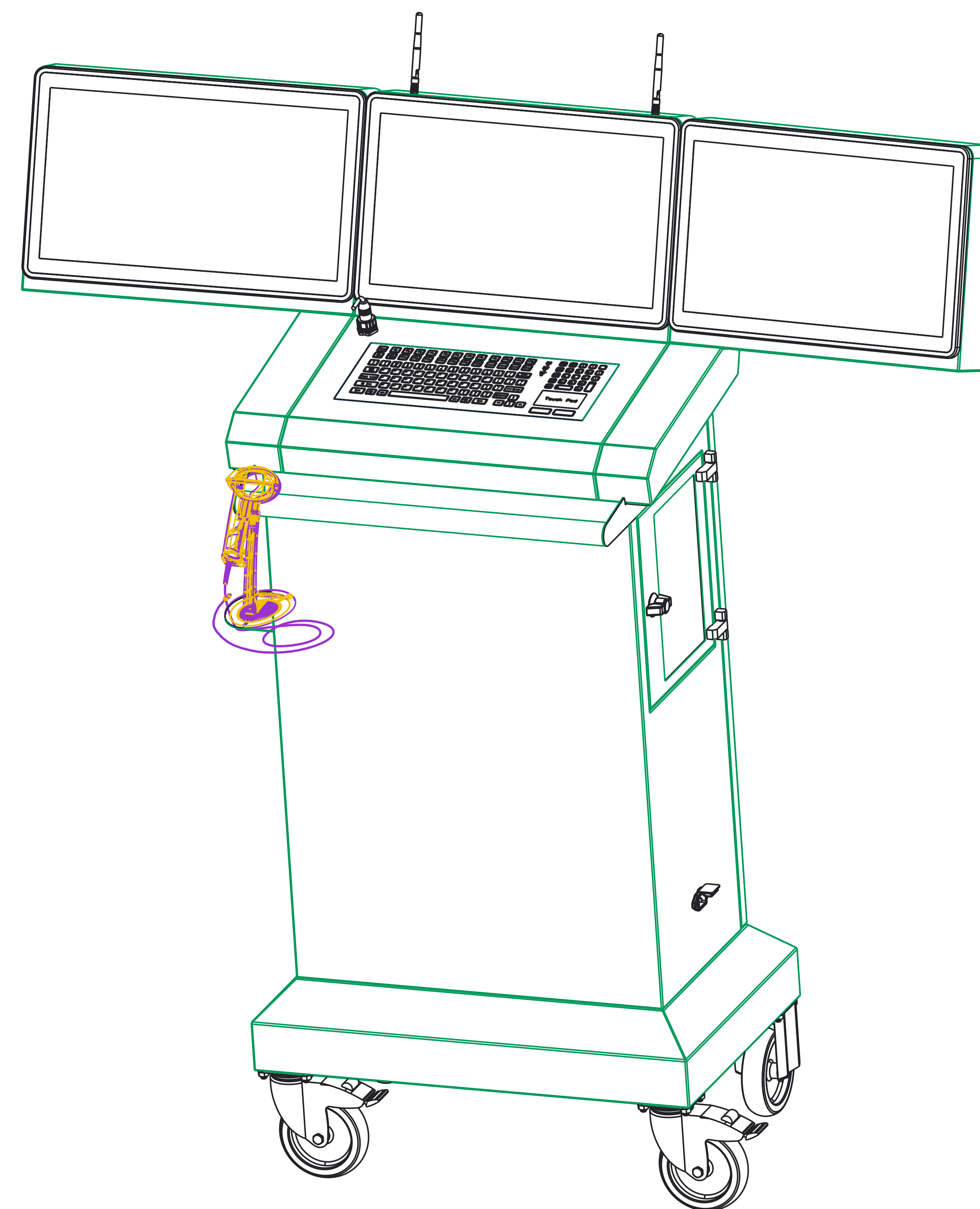
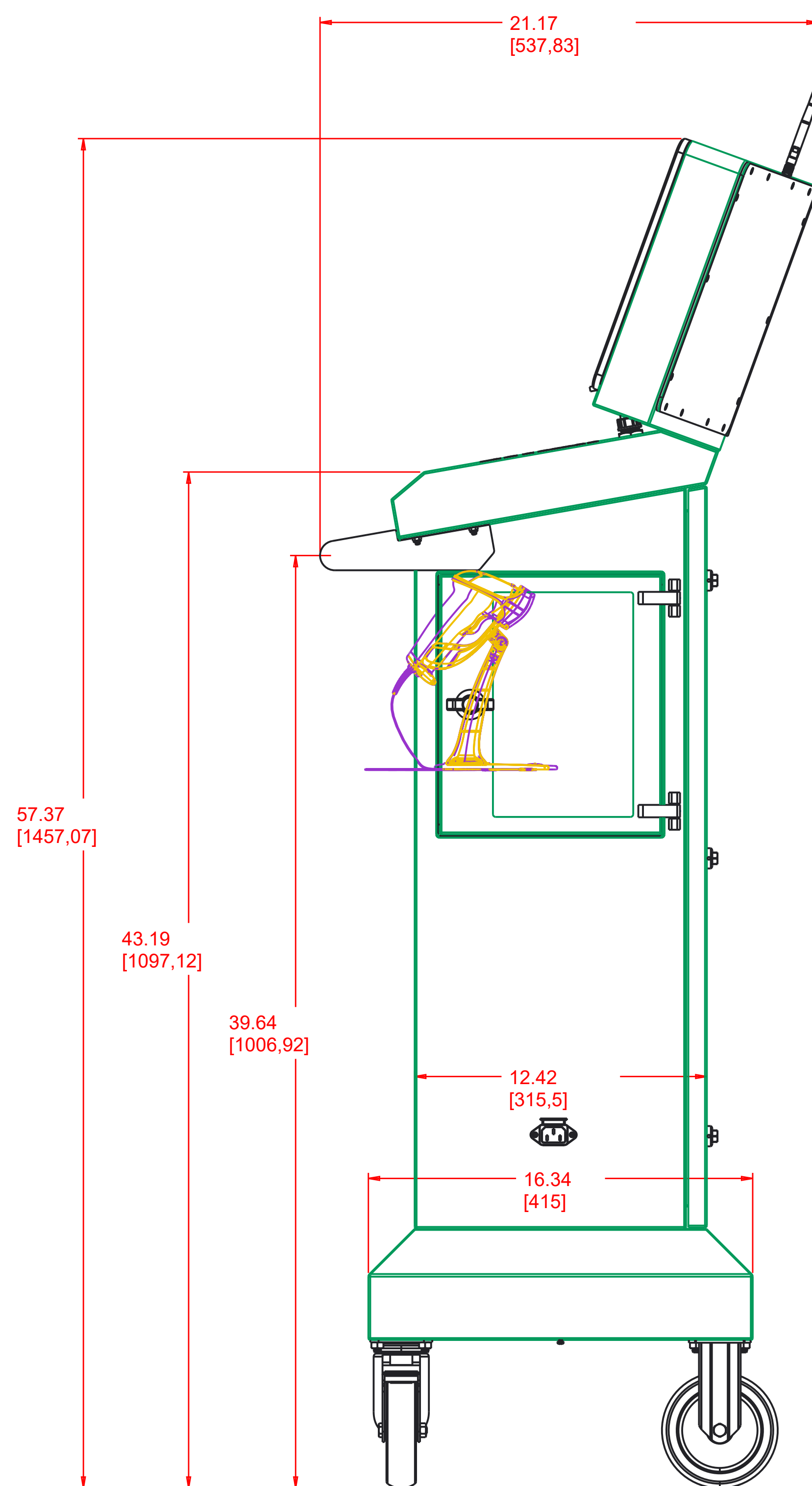
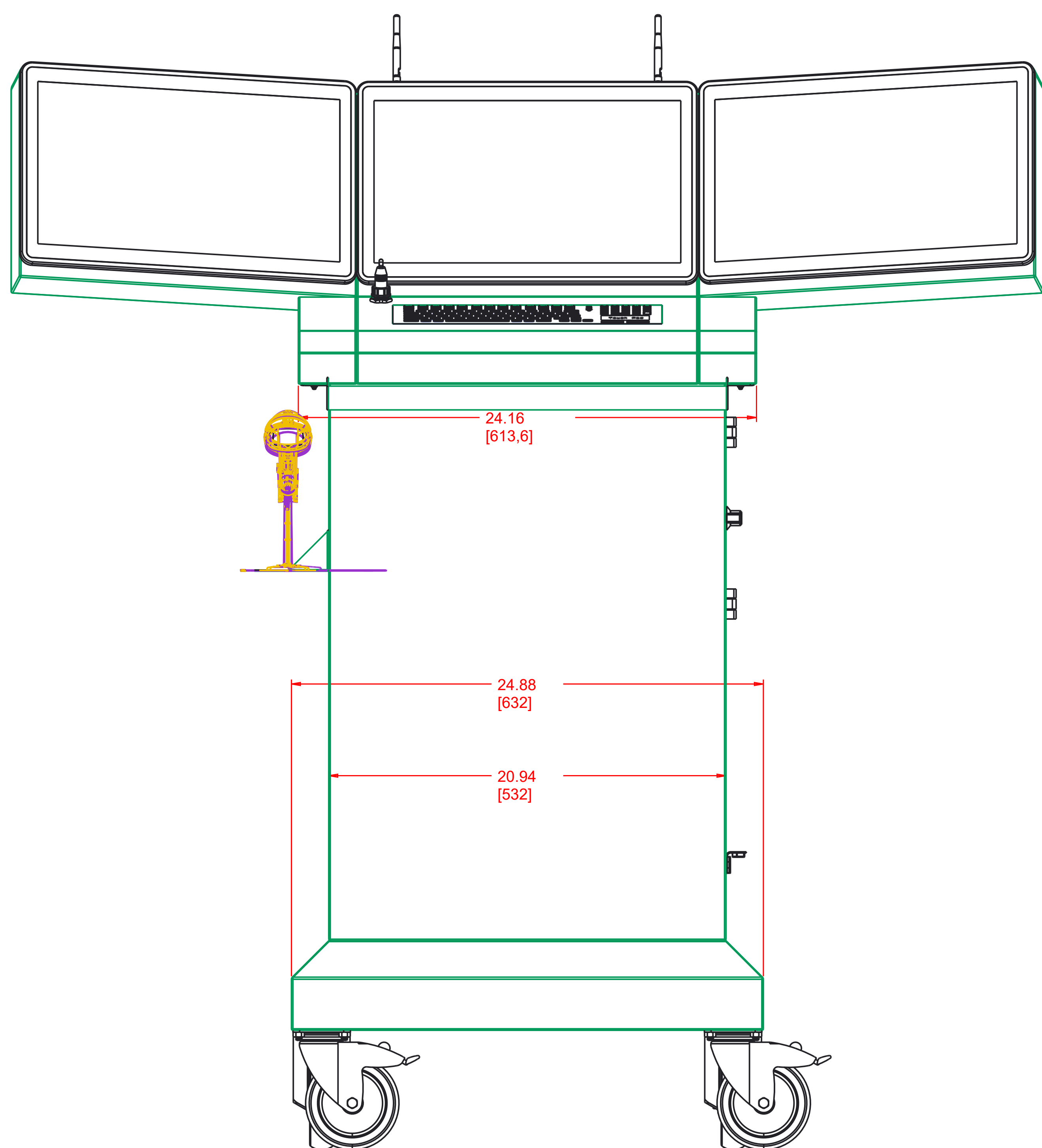
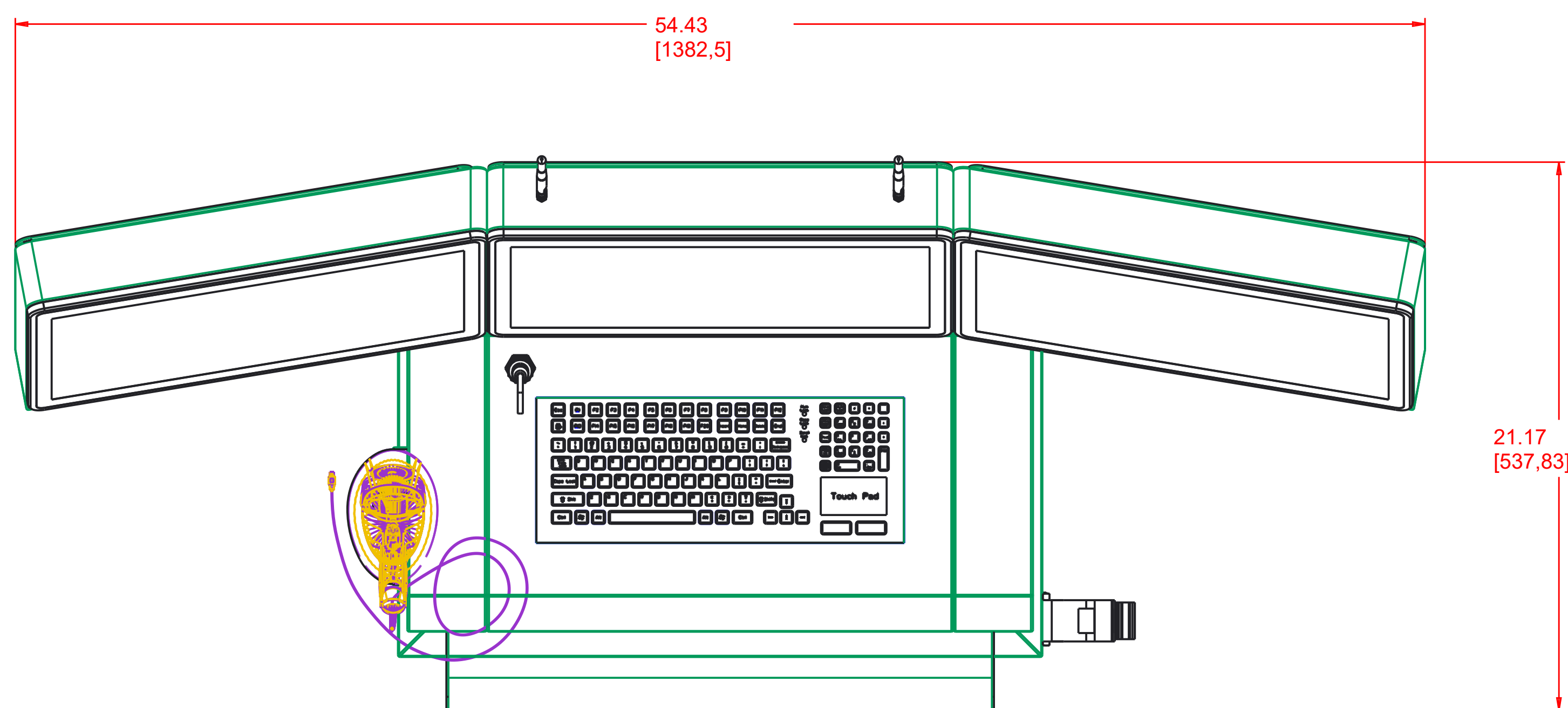


PARTS LIST			
ITEM	QTY	DESCRIPTION	PN



UNITS: inch/mm

ZONE	REV	DESCRIPTION	DATE	APPROVED
REVISIONS				

The information disclosed on this document is the exclusive property of ARISTA CORPORATION. Reproduction, disclosure, or the use of this document or information without the written permission of ARISTA CORPORATION is prohibited.

TOLERANCES	A	B	C
0-30mm	±0.1	±0.25	±0.6
31-120mm	±0.15	±0.45	±1.1
121-250mm	±0.3	±0.8	±2.5
>250mm	±0.5	±1.5	±3.8
DRN	YoyoSu		DATE
CHECKED			
DESIGN			

ARISTA CORPORATION
41300 Bayview Rd, Fremont, CA 94538

AMW-2318AX ASSEMBLY DIMENSION

TITLE	SIZE	FROM NO.	BWG NO.	REV
AMW-2318AX ASSEMBLY DIMENSION	E			
SCALE: 0.250	REV. NO.	SHEET OF		